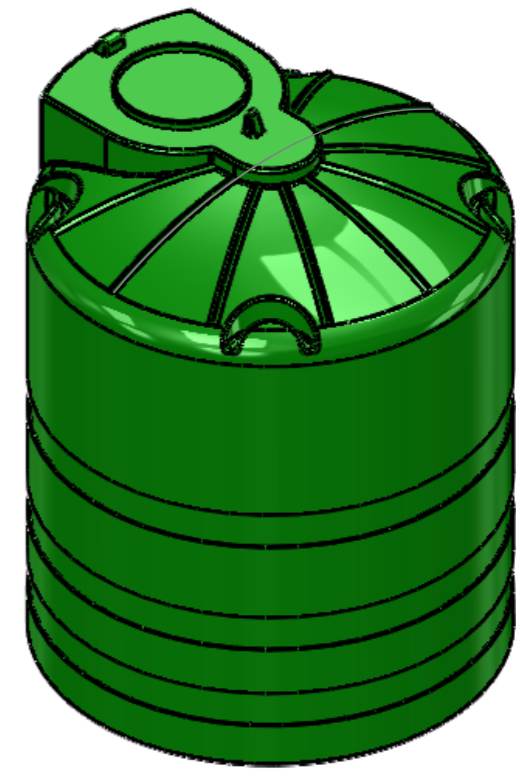
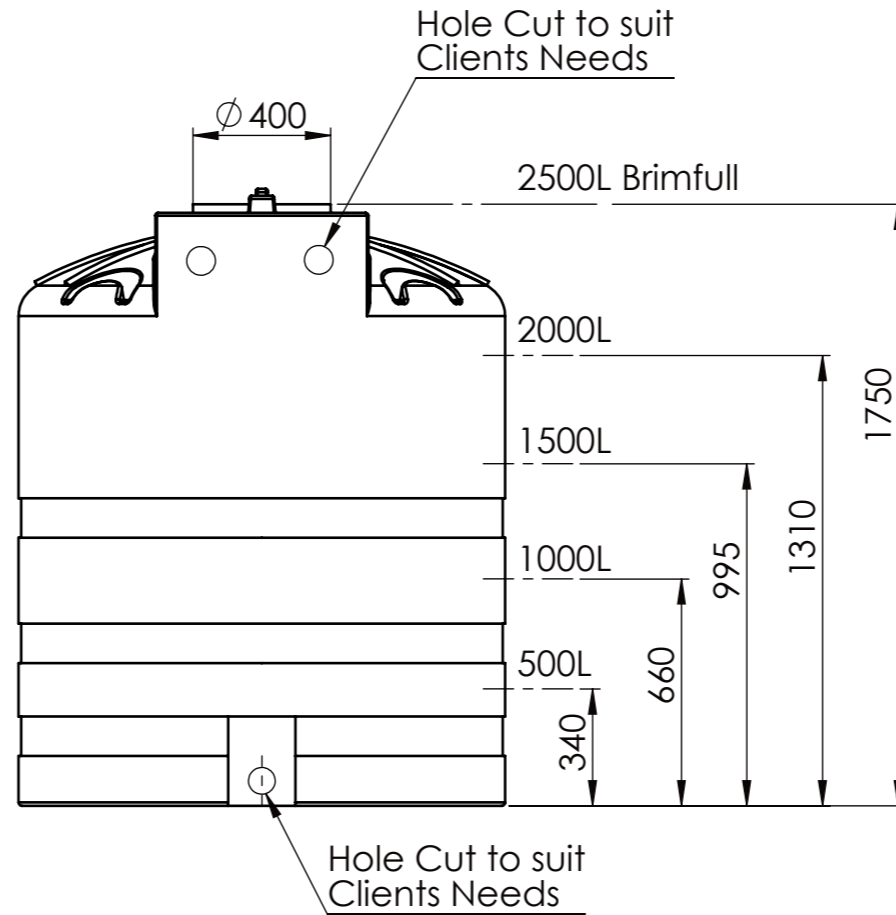
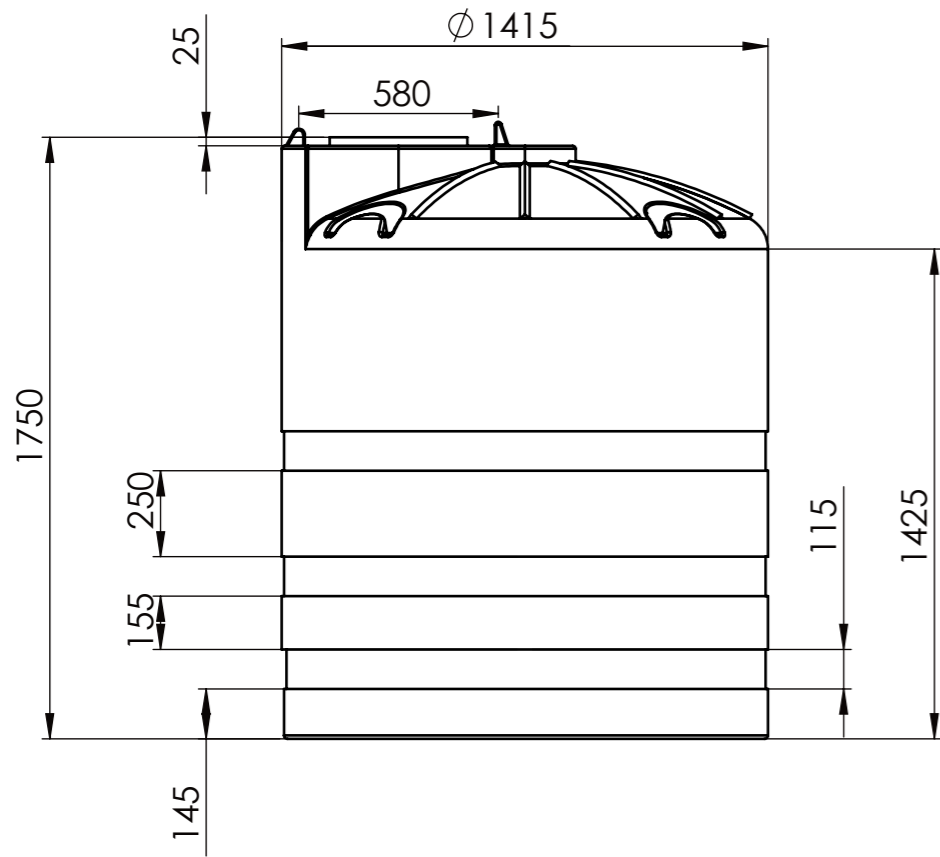
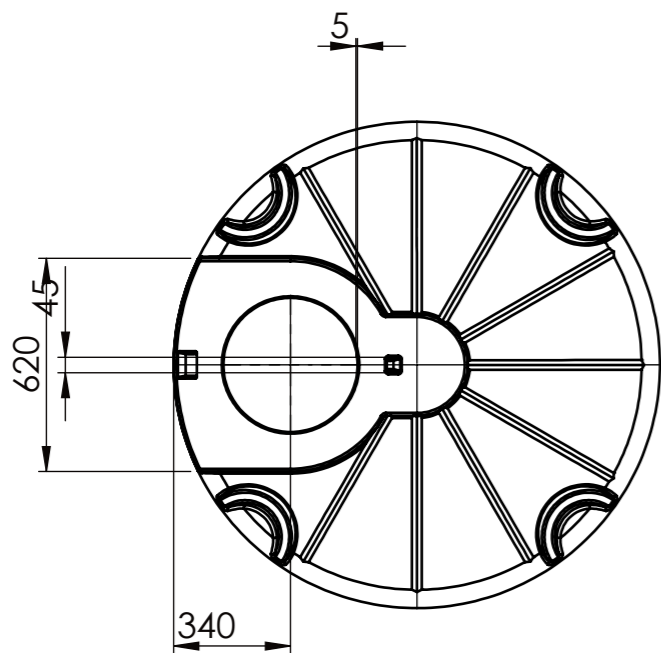


THE INFORMATION CONTAINED IN THIS DRAWING IS THE SOLE PROPERTY OF DUYS ANY REPRODUCTION IN PART OR WHOLE WITHOUT THE WRITTEN PERMISSION OF DUYS IS PROHIBITED, IN TERMS OF THE COPYRIGHT ACT.



Weights:
Water: 50kg
Medium: 60kg
Heavy: 70kg



13 Pillans St,
 Chamdor,
 Krugersdorp, 1740
 P.O.Box 700,
 Krugersdorp 1740
 Phone: (011)769-2738
 Fax: (011)769-2742
 E-mail: grant.heroldt@duys.co.za

OVER TO	TOL ±	REV.	DETAIL OF CHANGE
0 - 6	0.1		
6 - 30	0.2		
30 - 100	0.3		
100 - 300	0.5		
300 - 1000	0.8		
1000 - 3000	1.2		
3000 - PLUS	2.0		
ANGLES	± 1°		

DATE	ASSOCIATED DOCUMENTS	PROJECT :	CAD GENERATED DRAWING, DO NOT MANUALLY UPDATE
	NONE		
	DRAWINGS PREPARED BY Drayke Design 0823748867 e-mail : paul@drayke.co.za		APPROVALS DATE
	GENERAL SURFACE FINISH 3,2 um RMS U . O . S	MATERIAL: LDPE STOCK SIZE: GRADE: QUANTITY: SURFACE AREA: WEIGHT:	DRAWN Drayke 2011/02/07
	REMOVE ALL BURRS AND SHARP EDGES	DO NOT SCALE DRAWING	CHECKED
			FIRST ANGLE PROJECTION
			SIZE A3 DWG. NO. V2-5 (2500L)
			SCALE:1:22 REV. SHEET 1 OF 3

